



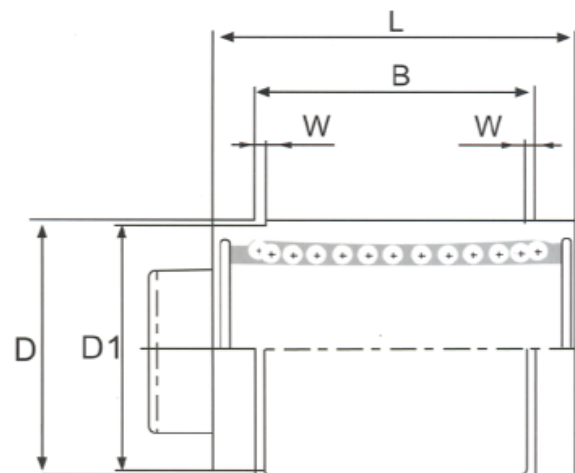
LME



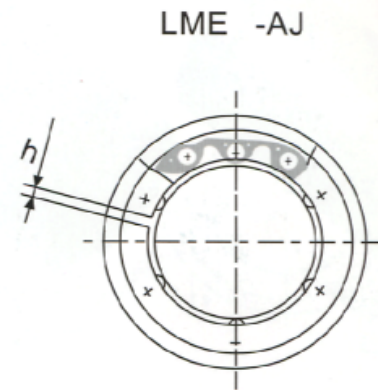
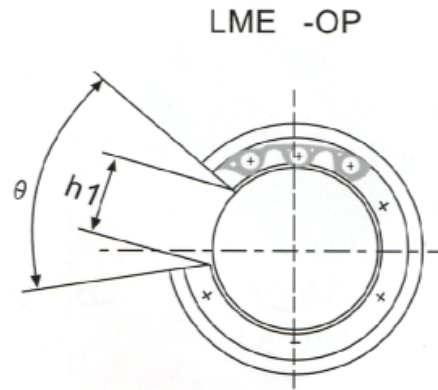
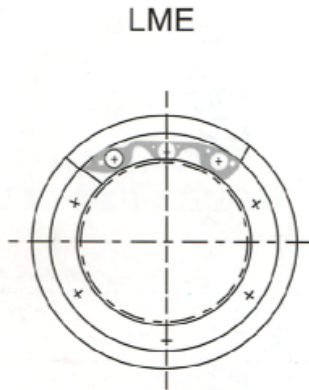
LME OP



LME AJ



Part No.								
Seal Type	Ball Circuit	Open Type	Ball Circuit	Adjustable Type	Ball Circuit	dr (mm)	Tolerance (µm)	D (mm)
LME5UU	4	-	-	LME5UUAJ	4	5	+8 0	12
LME8UU	4	-	-	LME8UUAJ	4	8		16
LME12UU	4	LME12UU-OP	3	LME12UUAJ	4	12		22
LME16UU	5	LME16UU-OP	4	LME16UUAJ	5	16	+9 -1	26
LME20UU	5	LME20UU-OP	4	LME20UUAJ	5	20		32
LME25UU	6	LME25UU-OP	5	LME25UUAJ	6	25	+11 -1	40
LME30UU	6	LME30UU-OP	5	LME30UUAJ	6	30		47
LME40UU	6	LME40UU-OP	5	LME40UUAJ	6	40	+13 -2	62
LME50UU	6	LME50UU-OP	5	LME50UUAJ	6	50		75
LME60UU	6	LME60UU-OP	5	LME60UUAJ	6	60		90



**Main Dimensions and Tolerance**

Tolerance ( $\mu\text{m}$ )	L (mm)	Tolerance ( $\mu\text{m}$ )	B (mm)	Tolerance ( $\mu\text{m}$ )	W (mm)	D1 (mm)	h (mm)	h1 (mm)	$\theta$	Eccentricity (max) $\mu\text{m}$	Radial Clearance (max) $\mu\text{m}$	Basic Load Rating		Weight (g)	Part No.
												C N	Co N		
0 -8	22	0 -200	14.5	0 -300	1.1	11.5	-	-	-	12	-3	206	265	11	LME5UU
	25		16.5		1.1	15.2	-	-	-			265	402	22	LME8UU
0 -9	32		22.9		1.3	21	1.5	7.5	78°		-4	510	784	45	LME12UU
	36		24.9		1.3	24.9	1.5	10	78°			578	892	60	LME16UU
0 -11	45		31.5		1.6	30.3	2	10	60°		-6	862	1370	102	LME20UU
	58		44.1		1.85	37.5	2	12.5	60°			15	980	1570	235
	68		52.1		1.85	44.5	2	12.5	50°	-8		1570	2740	360	LME30UU
0 -13	80		60.6		2.15	59	3	16.8	50°		17	2160	4020	770	LME40UU
	100		77.6		2.65	72	3	21	50°	-13	3820	7940	1250	LME50UU	
0/-15	125		(0/-400)		101.7	3.15	86.5	3	27.2		54°	20	4700	9800	2220